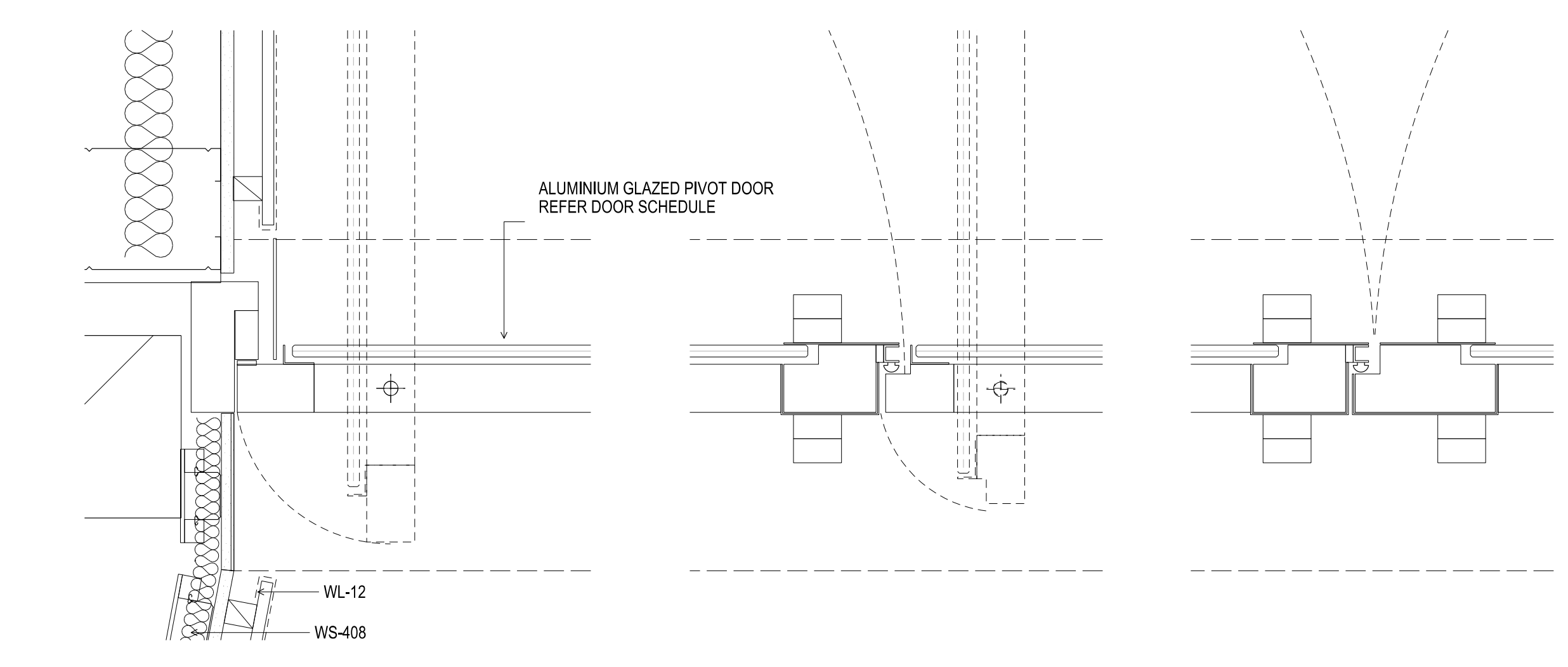


THIS DRAWING IS AN UNCONTROLLED COPY UNLESS STAMPED OTHERWISE

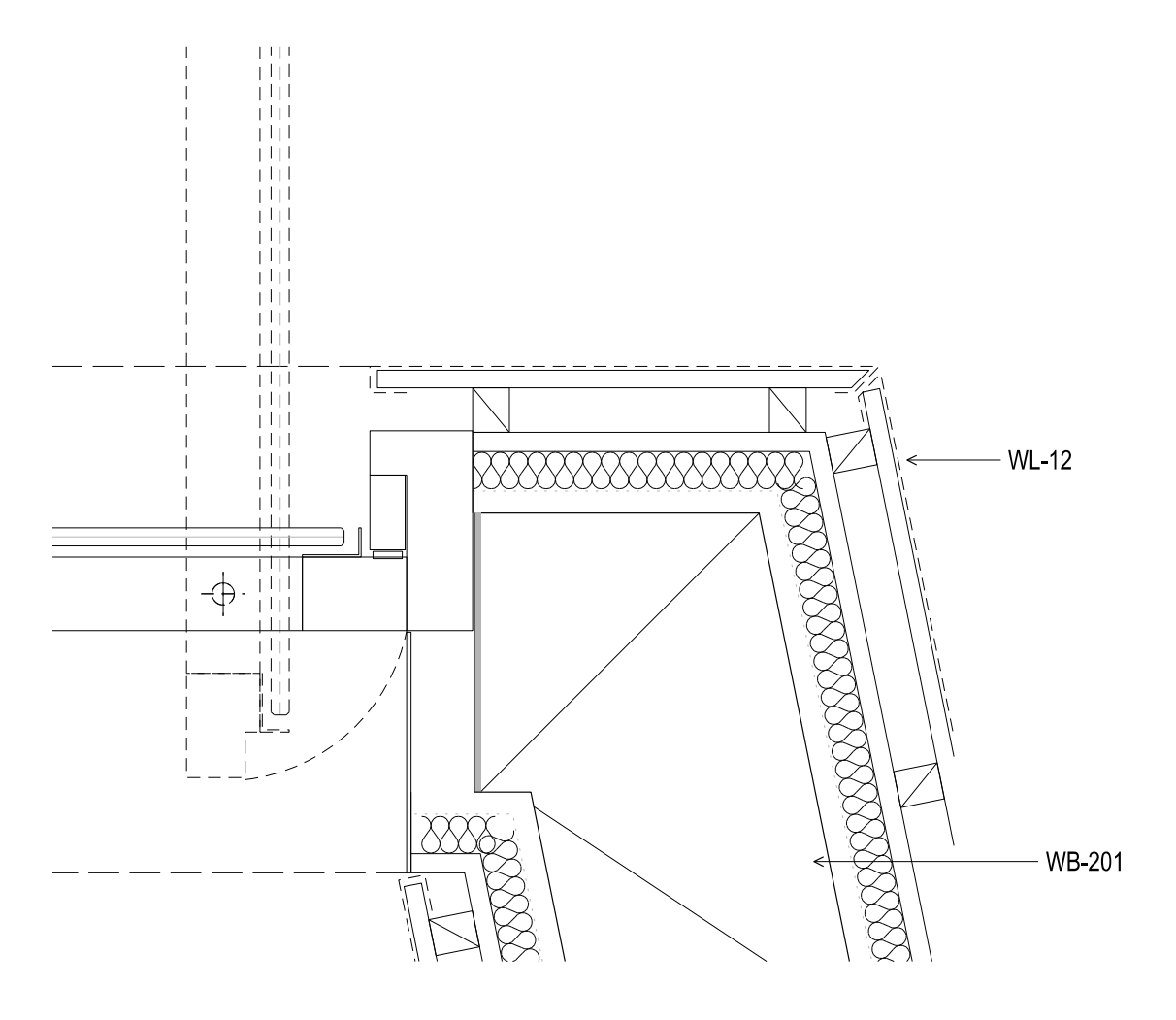
CONTRACTORS SHALL VERIFY DIMENSIONS BEFORE ANY JOB COMMENCES. ALL SHOP DRAWINGS SHALL BE SUBMITTED TO THE SUPERINTENDENT AND MANUFACTURER. SHALL NOT COMMENCE PRIOR TO THE RECEIPT OF APPROVED SHOP DRAWINGS ISSUED BY THE CONSULTANT. DIMENSIONS SHALL TAKE PRECEDENCE OVER SCALES. THIS DRAWING SHALL BE READ IN CONJUNCTION WITH ALL RELEVANT CONTRACT SPECIFICATIONS AND DRAWINGS COPYRIGHT OF THIS DRAWING IS VESTED IN WARDLE

General Notes



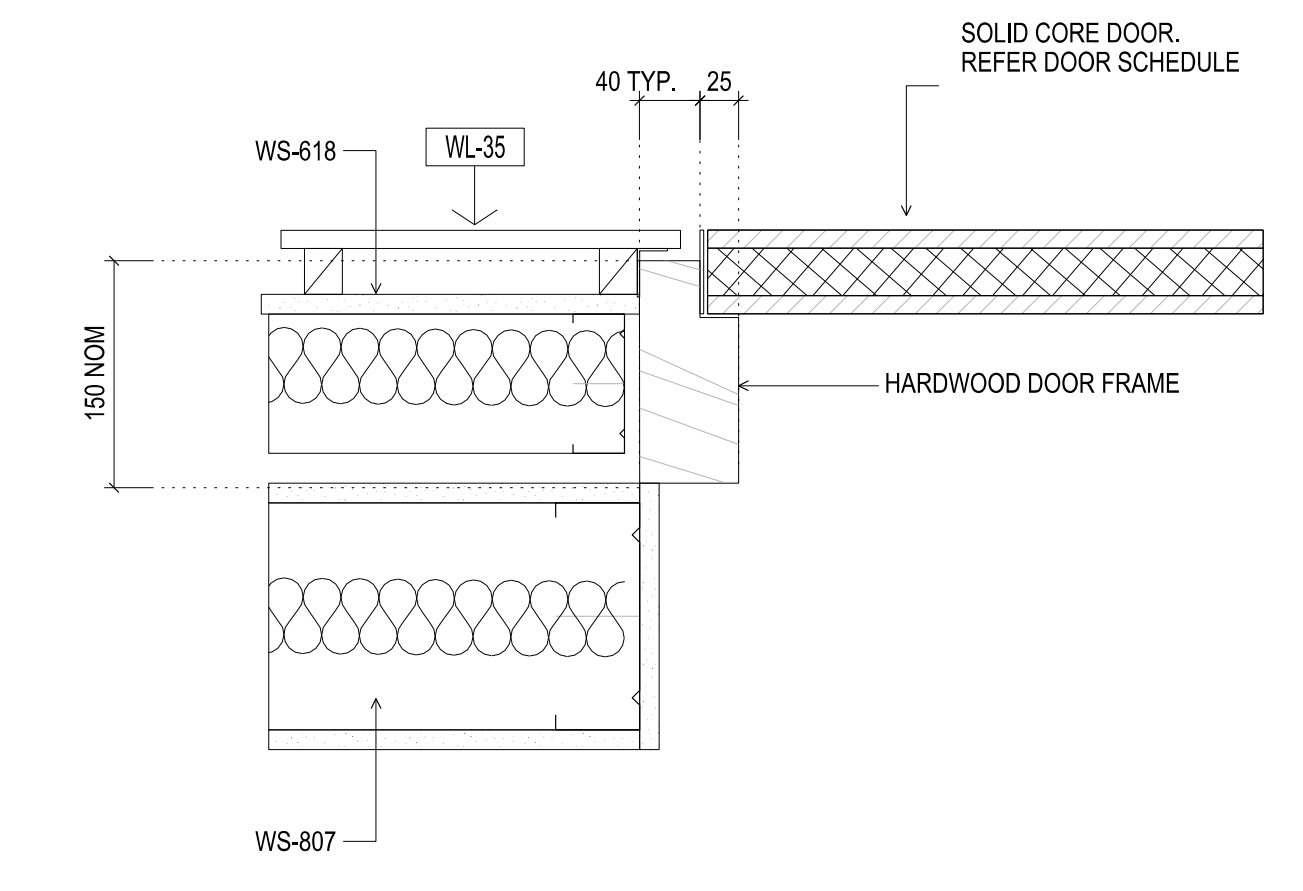
01 DOOR FRAME TYPE A  
ALUMINIUM GLAZED DOORS TO AUDITORIUM 01  
SCALE 1:5

DOORS  
DB-36



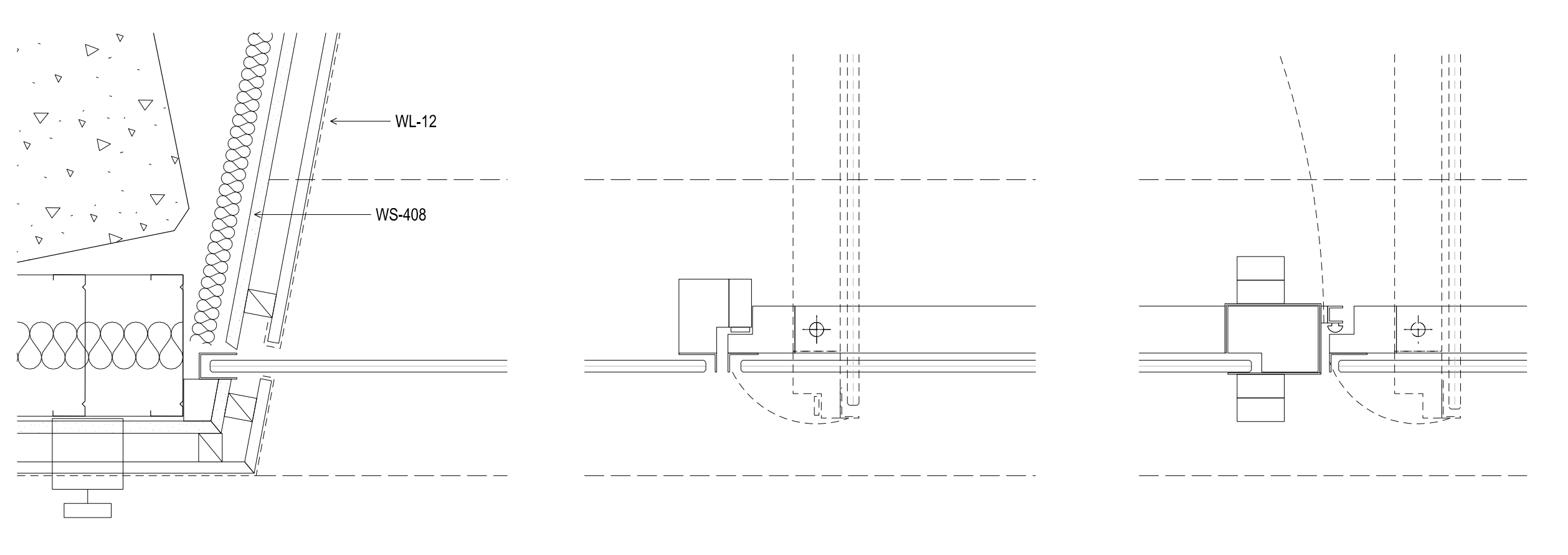
05 DOOR FRAME TYPE E  
76 STEEL STUD WITH LINING TO BOTH FACES  
SCALE 1:5

DOORS  
D4-02



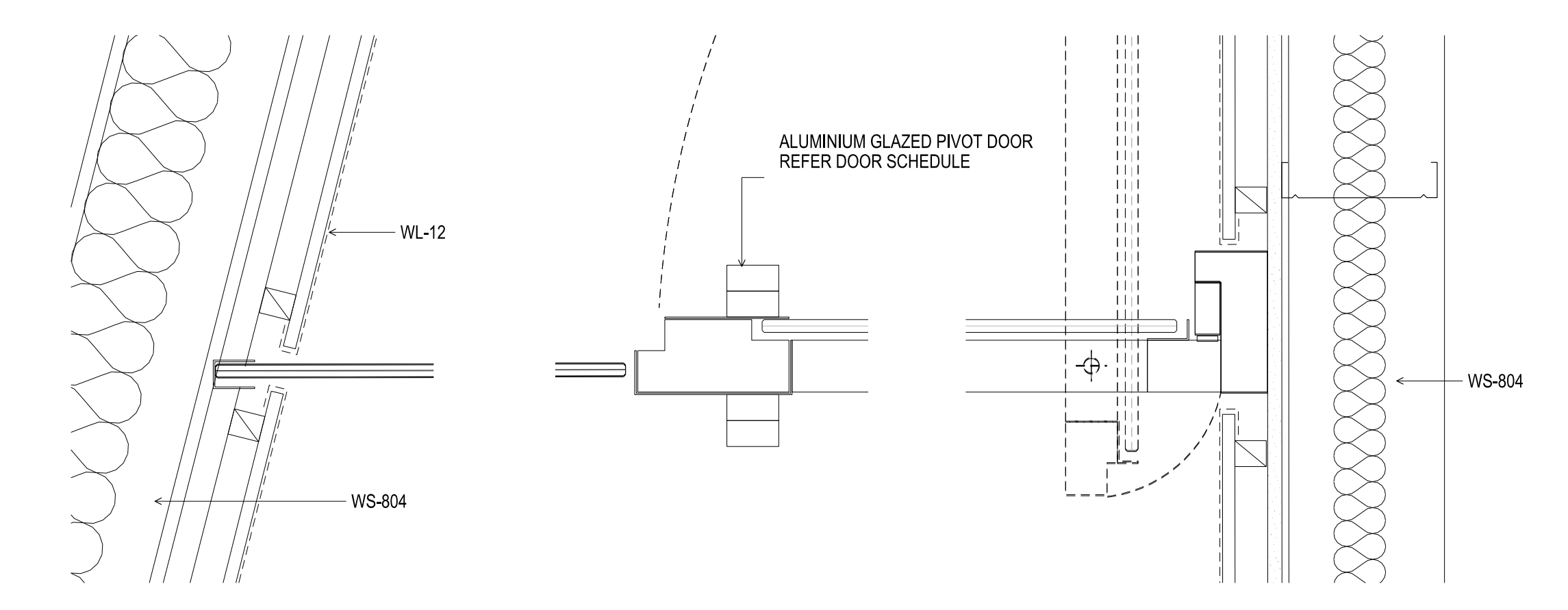
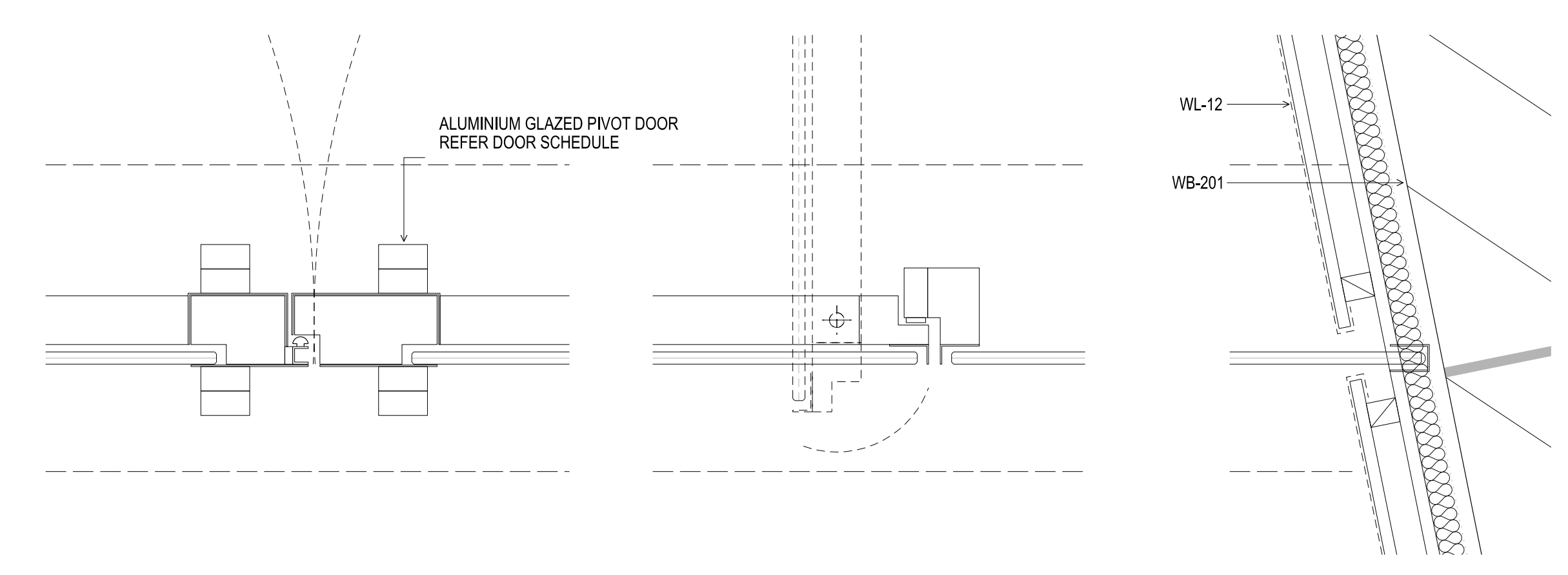
06 DOOR FRAME TYPE E  
DOUBLE STEEL STUD WITH LINING TO ONE FACE  
SCALE 1:5

DOORS  
DB2-60



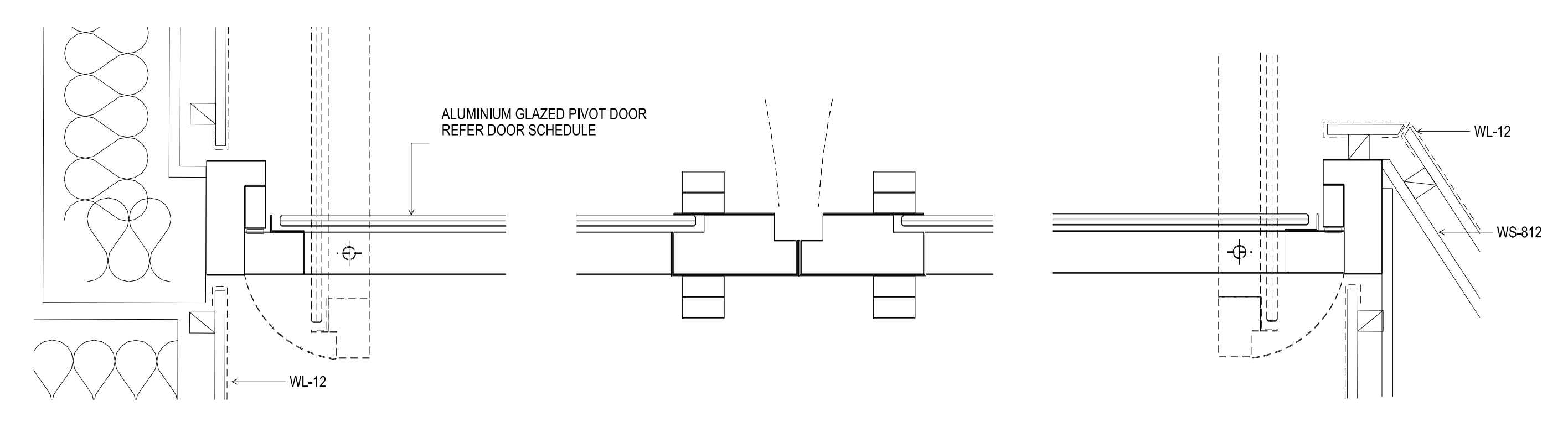
02 DOOR FRAME TYPE A  
ALUMINIUM GLAZED DOORS TO AUDITORIUM 01  
SCALE 1:5

DOORS  
DB-37



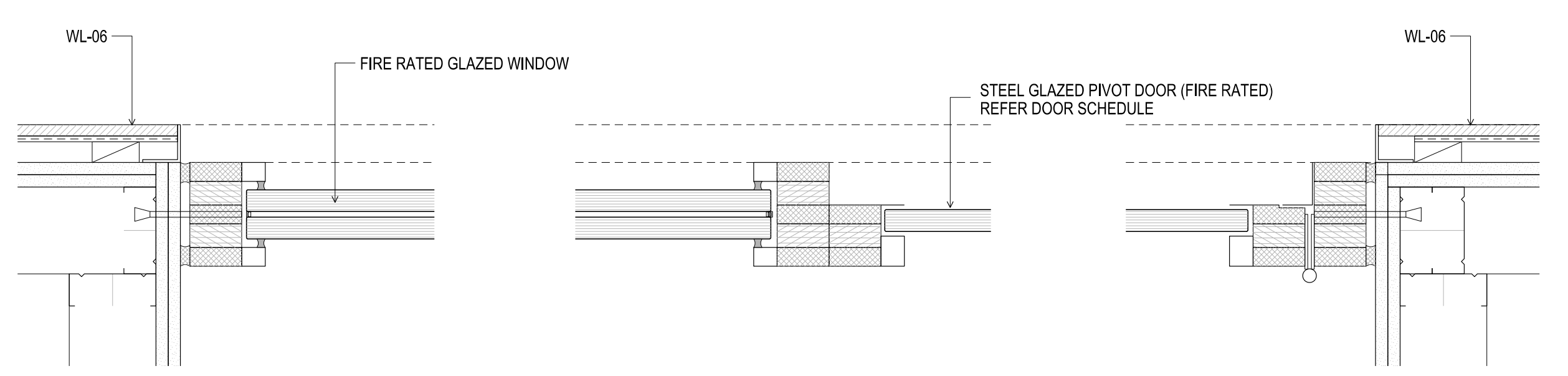
03 DOOR FRAME TYPE A  
ALUMINIUM GLAZED DOORS TO AUDITORIUM 01  
SCALE 1:5

DOORS  
DB2-39



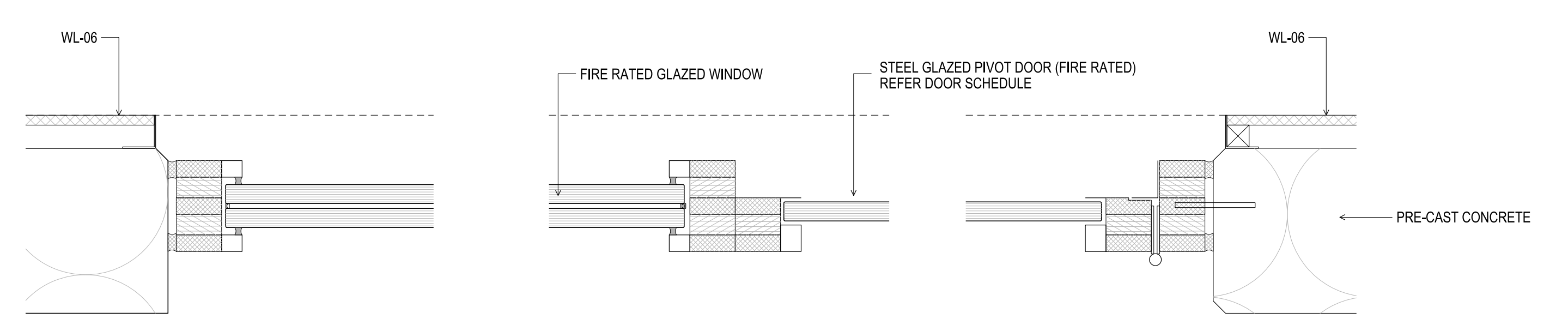
04 DOOR FRAME TYPE A  
ALUMINIUM GLAZED DOORS TO AUDITORIUM 01  
SCALE 1:5

DOORS  
DB2-38



07 DOOR FRAME TYPE C (FIRE RATED)  
STEEL GLAZED FIRE RATED STAIR CORE DOOR  
SCALE 1:5

DOORS  
D3-03, D4-06



08 DOOR FRAME TYPE C (FIRE RATED)  
STEEL GLAZED FIRE RATED STAIR CORE DOOR  
SCALE 1:5

DOORS  
D1-12, D2-04 SIM

Rev	Issue	Revision Description	And	Date
A	SG	ISSUED FOR CONSTRUCTION		21.10.13



NADAAA

NADAAA  
1520 Washington Street No.2 Boston Massachusetts 02118 USA  
Telephone +1 617 442 8232 Facsimile +1 688 442 1417 Email nad@nadaaa.com



25 Rokeby Street, Collingwood, Victoria 3066 Australia  
Tel: +61 3 8662 0400 www.johnwardlearchitects.com  
© 2012 John Wardle Architects ABN 83 006 814 268

Client University of Melbourne Parkville Campus

Project Faculty of Architecture Building and Planning

Title DOOR JAMB DETAILS SHEET 08

Project No.	0913	Scale	
Drawing No.	AR 7513	Revision	A
Date	Drawn	Co-Ord	Check

FILENAME - \$FILES

FOR CONSTRUCTION